

# AK FR Series

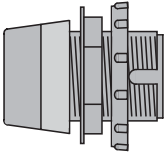
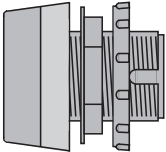
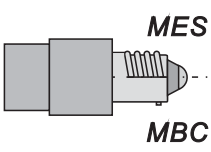
## Audible Alarms Flashing Relays



Product Data Sheet 208/2 Issue 1

### AUDIBLE ALARMS

Typical sound output 88 dB @ 10 cm. Other types with higher output on application.

STANDARD COLOUR GREY BLACK OPTIONAL		BLACK	HOUSING WITH ALARM	PANEL HOLE DIAMETER	6 V AC/DC UNIT FOR USE WITH TRANSFORMER LAMP HOLDER TO 440 VAC or INTERNAL RESISTOR HOLDER TO 110 VDC e.g. AKMJ/TMU240/4 AKFY/IRMU24/4 - MAY BE USED WITH TRANSFORMER FLASHING LAMP HOLDER TO PROVIDE 1 Hz ON / OFF PULSE e.g. AKFJ/FACTMU/110/4 AKDY/FACTMU/24/4
			AKMJ	19 mm	
		MES	AKMY	19 mm	
		MBC	AKFJ	22.5 mm	
			AKFY	22.5 mm	
			AKDY	30.5 mm	

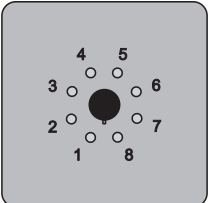
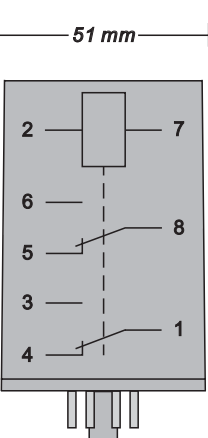
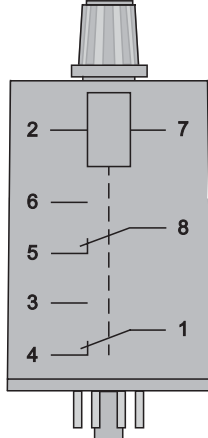
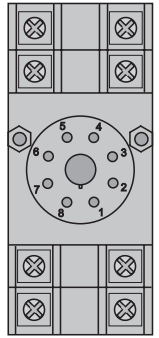
Voltages up to 110 VDC or 440 VAC

### FLASHING RELAY / OCTAL BASE

STANDARD INPUT VOLTAGES:- 24, 50, 110, 240 VAC and 24, 50, 110 VDC  
OTHER VOLTAGES ON APPLICATION

CONTACT RATING:- UP TO 5 A at 30 VDC or 240 VAC RESISTIVE

MECHANICAL LIFE:- TYPICAL GREATER THAN 10,000,000 OPERATIONS

			
Bottom view of Relay Assembly			Top view of Octal Base
FLASHING RELAY	FR/INPUT VOLTAGE  FLASH RATE 1Hz STANDARD	FRA/INPUT VOLTAGE  FLASH RATE ADJUSTABLE 0.2 TO 1Hz	OCTAL BASE HOLDER PRODUCT CODES Screw terminals:- OBH/4 Solder tags:- OBH/7