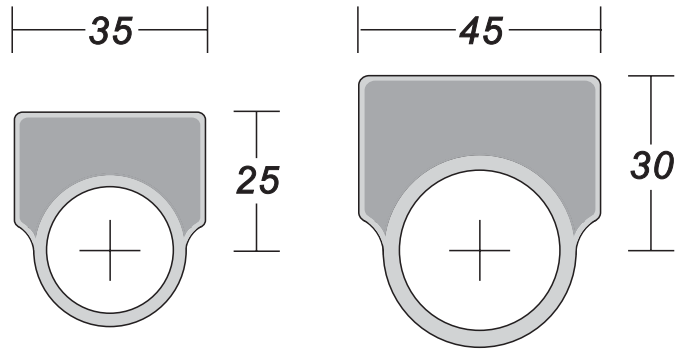


LEGEND PLATES

Black Anodised Aluminium - Engraved to order

**SUITABLE FOR:
H SERIES INDICATOR LENS,
& PUSHBUTTONS.**

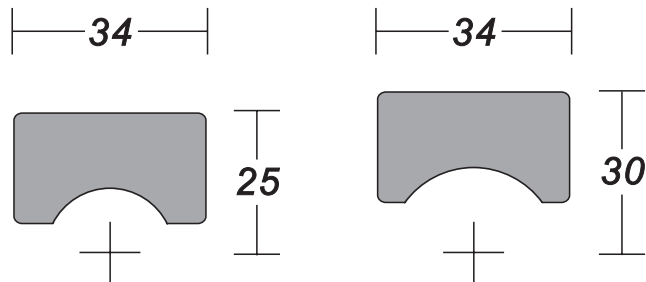


PRODUCT CODES

**MHLP - 19 mm
FHLP - 22.5 mm**

**LHLP - 26.5 mm
DHLP - 30.5 mm**

**SUITABLE FOR:
JY SERIES INDICATOR LENS
& SWITCHES**



PRODUCT CODES

BJLP (ADHESIVE) BYLP

Optional:

Traffolyte - White/Black/White or Black/White/Black

TERMINAL SHROUDS - IP65

Designed to cover terminals of any 35mm diameter body to IP65 protection except RMU units.



FUNNEL SHROUD



TURRET SHROUD

PANEL HOLE BLANKS

Blanks to plug panel holes of 19mm, 22.5mm, 26.5mm and 30.5mm diameter.
All blanks are self-clipping into the hole. (Photographs below show reverse sides.)



ENCAPSULATED 1.5VA INDICATOR TRANSFORMER



*SUITABLE FOR USE WITH LOW
VOLTAGE LAMPS UP TO 1.5 VA
WHERE REMOTE TRANSFORMERS REQUIRED
or
WHERE DEPTH OF STANDARD
TRANSFORMER LAMP IS TOO GREAT.
FITTED WITH FIXED TERMINAL COVERS*

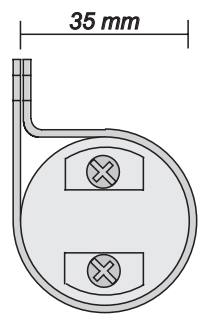
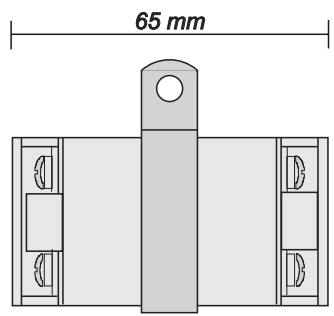
**TRANSFORMER
ENCAPSULATED 1.5 VA**

**STANDARD INPUT
VOLTAGES:
24, 50, 110, 240, 440 V
50 / 60 Hz**

OUTPUT 5 VAC

**OTHER VOLTAGES
ON APPLICATION**

'P' CLIP SUPPLIED



T/VOLTAGE/4

BASE
CONNECTIONS