

The STK Range provides a high quality solution where double wound control transformers are required with extra versatile multi-tapped primaries and secondaries. Klippon terminal blocks are standard.

STK Range 25VA - 2kVA, 1 phase, 50/60 Hz

Standard Specification

- Klippon terminal blocks used throughout range
- Design optimises efficiency for low regulation
- Earth screen fitted between primary and secondary windings
- Transformers impregnated with a polyester varnish to reduce vibration and noise from the laminations and windings
- Conform to the general requirements of BSEN61558
- Insulation to BS2757 Class E (IEC 85)
- Maximum operating ambient temperature of 30°C without derating
- All transformers are CE labelled in accordance with the L.V. Directive

Options

- Steel ventilated floor or wall mounting enclosures can be supplied and fitted. See Data Sheet 408
- DIN rail mounting kit available for transformers up to 100VA
- Tropicalisation by a flame retardent enveloping varnish for environments with high humidity

Available VA Ratings
25
50
100
150
200
250
300
500
750
1k
1.5k
2k

50 VA

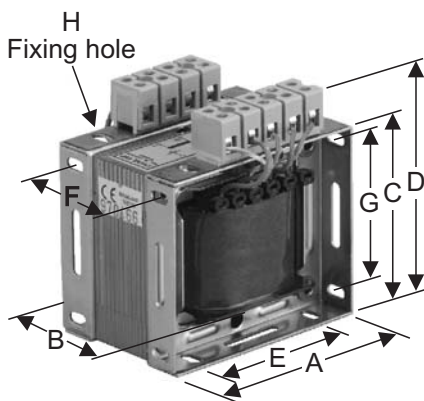


1 KVA



Product Code	Input V	Output V
STK/VA Rating/1	20-0-380-420	10-0-220-240
STK/VA Rating/2	10-0-220-240	55-0-55
STK/VA Rating/3	20-0-380-420	55-0-55
STK/VA Rating/4	0-110-120/0-110-120	0-12/0-12
STK/VA Rating/5	20-0-380-420	0-12/0-12

Dimensions and Data



VA Rating	Max. Dimensions mm				Fixing Dimensions mm				Wt. kg	IP23 Enc. Type*	V Reg %	Inrush VA	
	A	B	C	D	E	F	G	H				95%	90%
25	70	54	59	75	45	38	45	4X7	0.7	ENV0	12	35	45
50	79	59	67	83	54	40	54	4X8	1.3	ENV0	10	70	90
100	99	78	83	100	64	55	64	5X8	2.4	ENV1	8	160	220
150	99	94	83	100	64	68	64	5X8	3.0	ENV1	8	250	350
200	118	92	99	116	64	55	64	5X9	3.5	ENV2	8	400	600
250	118	105	99	116	64	68	64	5X9	4.5	ENV2	7	500	800
300	137	115	115	130	89	72	89	6X11	6.3	ENV3	6	700	1k
500	137	135	115	130	89	98	89	6X11	8.8	ENV3	4	1k	1.5k
750	167	135	140	168	89	94	89	7X13	12.5	ENV4	4	2k	3.5k
1k	167	160	140	168	89	119	89	7X13	15.0	ENV4	4	2k	3.5k
1.5k	213	160	180	208	115	110	115	10X18	21.4	ENV5	3	3.5k	5k
2k	213	188	180	208	115	135	115	10X18	27.0	ENV5	3	4k	7k

* IP65 Enclosures sizes specified on application