

CUSTOM SINGLE PHASE DOUBLE WOUND

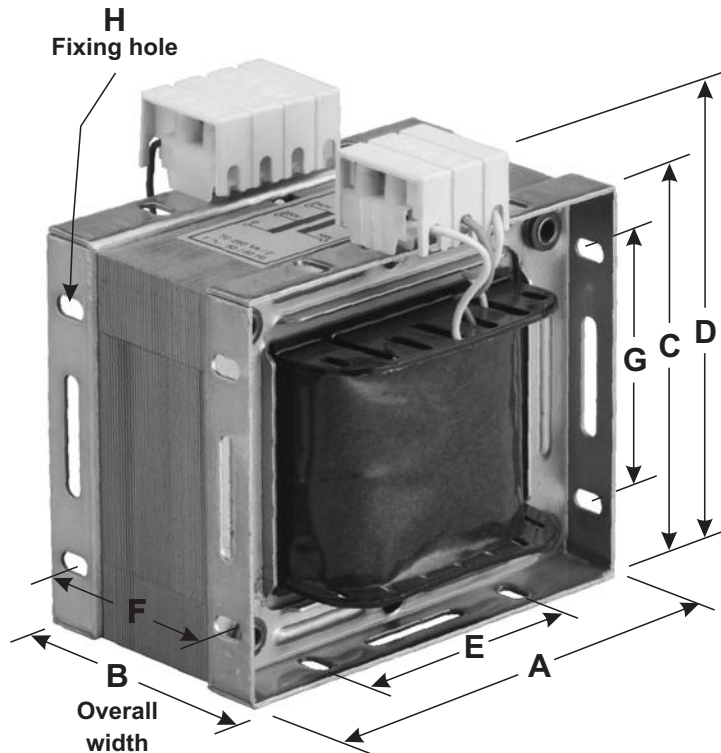
10 VA - 4 kVA

A range of control circuit transformers using universal frames and having terminal block connections. Designed to customer requirements, the transformers can be fitted with an earth screen between windings. All transformers have a polyester varnish finish, a tropicalised varnish is optional. They are designed to operate in a maximum ambient temperature of 30deg C without derating.

A full range of steel stove enamelled enclosures is available for all types, see Data Sheet 408.

SPECIFICATION

- Temp. range: - 10 C to + 50 C
- Insulation: To BS 2757 class E
- Regulation: 5 - 15% dependent on design
- Flash test: 2 kV
- Max. voltage: 600 V



Dimensions mm

Product Reference	Rating VA	A	B	C	D max	E	F	G	H	Weight kg	Enclosure Reference
TUF 1	10 - 20	70	50	59	79	45	38	45	4 X 7	0.8	ENV 0
TUF 2	21 - 35	79	55	67	87	54	40	54	4 X 8	1.1	ENV 0
TUF 3	36 - 50	79	61	66	87	54	47	54	4 X 8	1.5	ENV 0
TUF 4	51 - 75	89	59	75	95	57	46	57	5 X 8	2.0	ENV 0
TUF 5	76 - 100	99	67	83	103	64	55	64	5 X 8	2.5	ENV 1
TUF 6	101 - 150	99	79	83	103	64	67	64	5 X 8	3.2	ENV 1
TUF 7	151 - 200	118	71	99	119	64	55	64	5 X 9	3.7	ENV 2
TUF 8	201 - 250	118	82	99	119	64	68	64	5 X 9	4.6	ENV 2
TUF 9	251 - 300	118	118	99	119	64	81	64	5 X 9	5.7	ENV 3
TUF 10	301 - 400	137	115	115	135	89	72	89	6 X 11	6.3	ENV 3
TUF 11	401 - 450	118	130	99	119	64	94	64	5 X 9	6.9	ENV 3
TUF 12	451 - 500	137	124	115	135	89	85	89	6 X 11	7.5	ENV 3
TUF 13	501 - 650	137	137	115	135	89	98	89	6 X 11	8.8	ENV 3
TUF 14	651 - 750	167	118	140	160	89	82	89	7 X 11	10.0	ENV 4
TUF 15	751 - 1k	167	133	140	160	89	94	89	7 X 11	12.5	ENV 4
TUF 16	1.1k - 1.5k	167	159	140	162	89	119	89	7 X 11	15.0	ENV 4
TUF 17	1.6k - 2k	213	160	180	202	115	110	115	10 X 19	22.0	ENV 5
TUF 18	2.1k - 2.6k	213	185	180	202	115	135	115	10 X 19	27.0	ENV 5
TUF 19	2.7k - 3.5k	213	190	180	202	115	147	115	10 X 19	33.0	ENV 5
TUF 20	3.6k - 4k	213	222	180	202	115	172	115	10 X 19	38.0	ENV 5

TERMINAL BLOCK FITTED AS STANDARD - STUD TERMINALS OR FLYING LEADS OPTIONAL
 ALL DIMENSIONS ARE NOMINAL AND REFER TO 50/60 Hz ONLY
 HIGHER FREQUENCY TRANSFORMERS AVAILABLE. DIMENSIONS ON REQUEST